

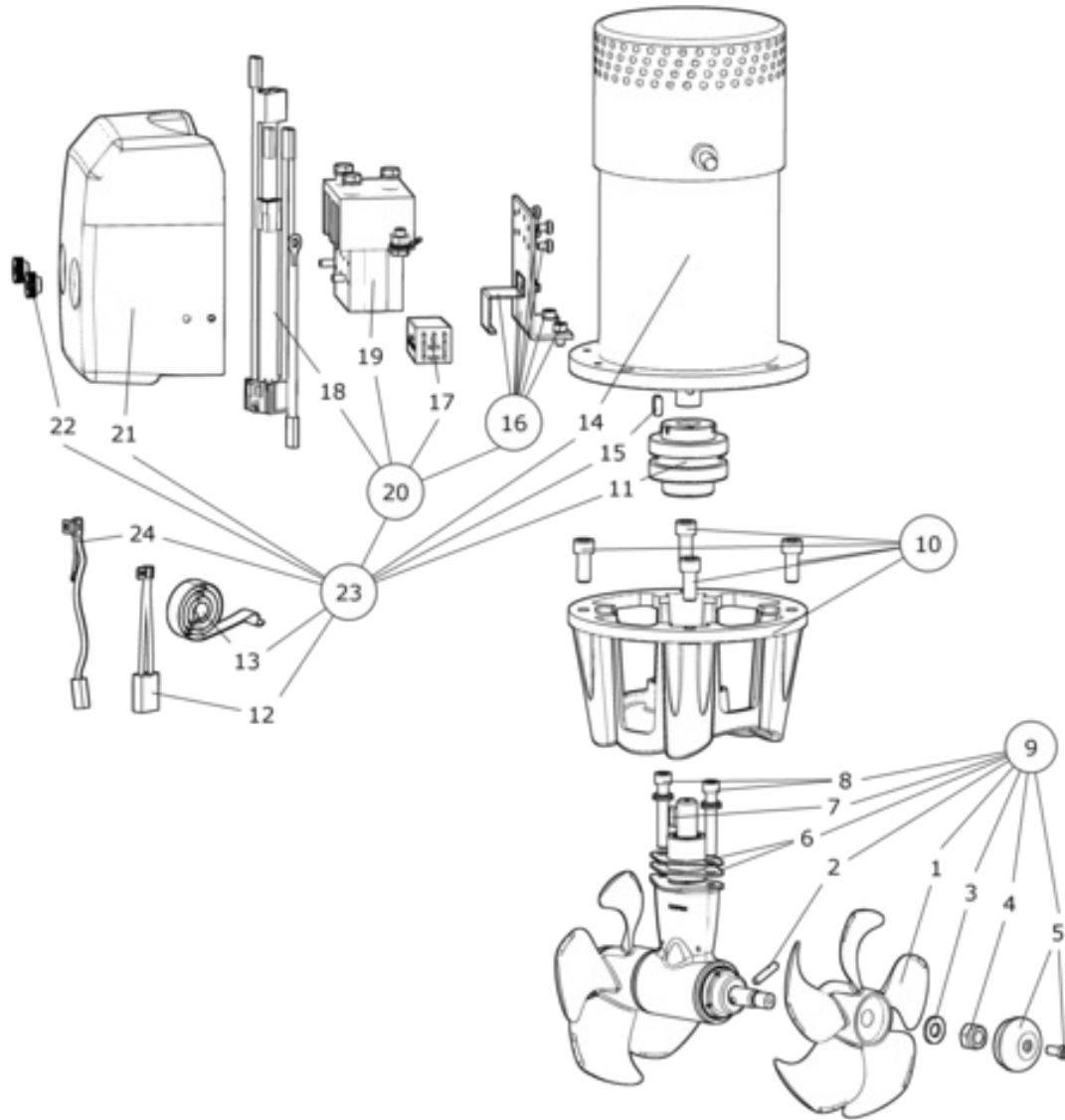
SE130/250T-12V -



SIDE-POWER

SE130 Tunnel thruster, 12V

Spare parts (valid from 2016-08-29)



#	Description	Product
1	Propeller	10 1271 RH - Q-Prop RH - SE130/170/210/H240
2	Propeller drivepin	9 1241 - Drive pin SE120-170
3	Propeller washer	20 1181 - Washer f/propell SP155/220/285
4	Locknut	10 1260 - Lock nut F/propell SP155/220/2
5	Anode	20 1180 A - Alu anode SE120/130/150/170
6	Gasket	9 0610 - Gasket SP125T
7	Driveshaft key	10 1440
8	Gearleg bolt	10 1080 - Screw f/gearleg 20hp
9	Complete gearleg	9 0601 - Gearleg compl SE130
10	Complete motor bracket	10 0501 - Motor bracket compl
11	Complete flexible coupling	7 1463 - Flexible coupling 20/20mm
12	Brushes for motor (kit)**	**
13	Brush springs for motor (kit)**	**
14	Electric motor	N/A
15	Key for electric motor shaft	10 1440 - Key for drive shaft SP95/125++
16	Solenoid bracket kit	10 0135 24 - Solenoid brck kit 24V SP200/22
17	Electronic control box	6 1232 I - Delay relay 12/24V, new type
18	Internal wiring loom	15 1273 B - Motor el. harness
19	Solenoid	1013713 - Solenoid compl SE100/130 12
20	Complete solenoid kit	9 0131 12 - Complete relay kit 12V
21	Solenoid Cover	8 2025 - Solenoid cover, SE100T 12V
22	Nut for solenoid cover	6 8810 - Nut for solenoid cover
23	Complete electric motor assembly	9 0101 12 - Electric motor compl SE130 12V
24	Temp switch*	*

(12) ** Please provide thruster serial # when ordering brushes and brush springs.

(13) ** Please provide thruster serial # when ordering brushes and brush springs.

(24) * Please provide thruster serial # when ordering Temp switch.

The installer alone has responsibility for the installation of the spare parts. Side-Power only warranty the spare parts supplied only.

The information given in the document was correct at the time it was published. However, Sleipner Motor AS can not accept liability for any inaccuracies or omissions it may contain. Continuous product improvement may change the product specifications without notice. Therefore, Sleipner Motor AS can not accept liability for any possible differences between product and document.